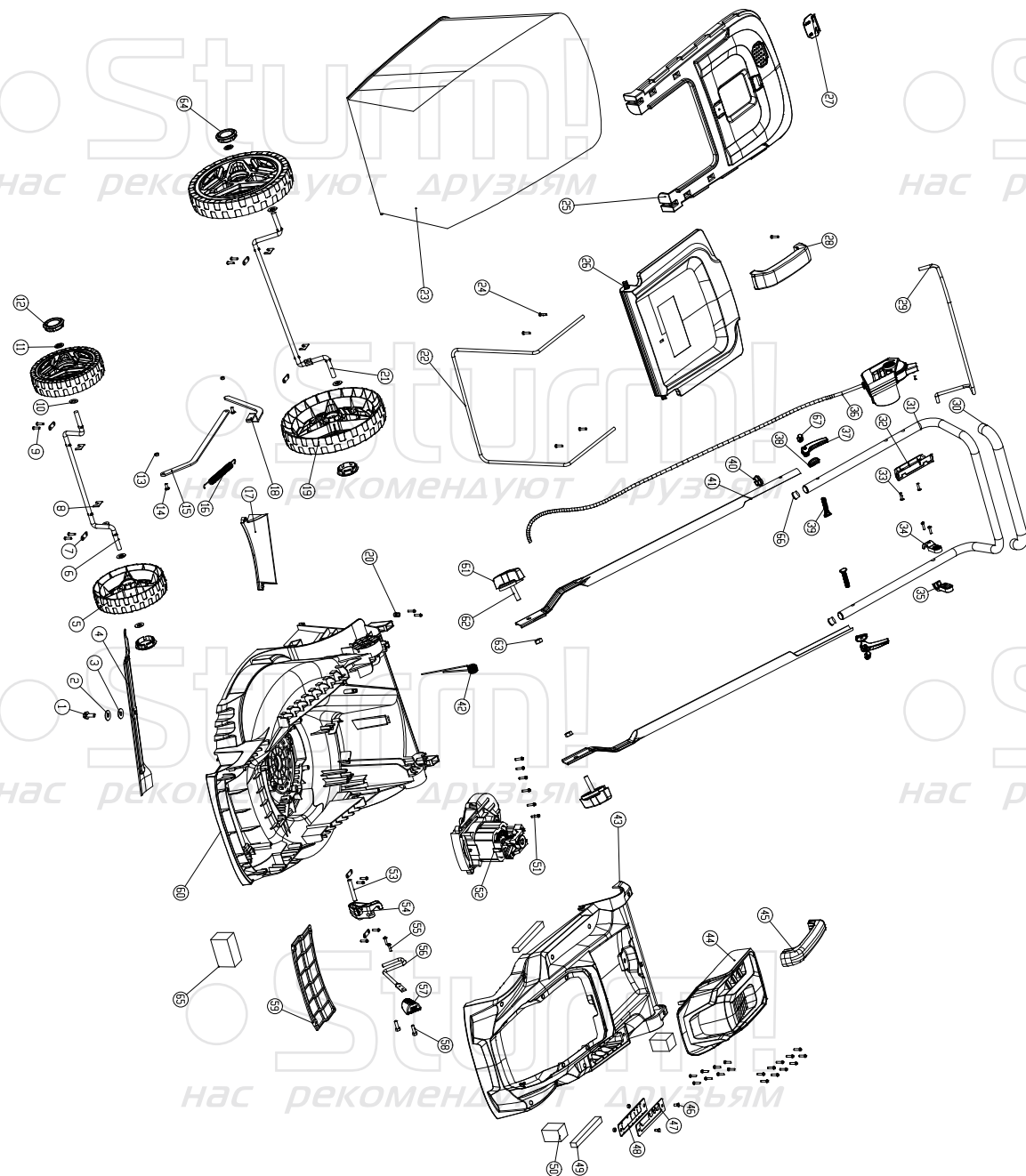


EL1840



NO.	DESCRIPTION	NO.	DESCRIPTION
1	Bolt M10*20	34	Switch lever support seat (left)
2	Washer φ10	35	Switch lever support seat (right)
3	Spring washer φ10	36	Switch box
4	Blade 38cm	37	Quick clamp
5	Front Wheel 140mm	38	Plastic washer
6	Front wheel axle assy	39	Bolt M6*45
7	Wheel axle plate	40	Wire clip
8	Wheel axle baffle	41	Lower handle
9	Screw ST4.2*16	42	Rear cover spring
10	Washer φ10	43	Upper cover
11	Clip φ10	44	Motor cover
12	140mm Wheel cover	45	Handle on upper cover
13	Nut M5	46	Bolt M5*10
14	Bolt M5	47	Height indicator plate
15	Front axle lever	48	Link bar occulting bar
16	Height adjustment spring	49	Air inlet foam
17	Grass-guide cover	50	Front axle foam against grass
18	Rear axle lever	51	Screw with washer ST4.8X19
19	Rear wheel 200mm	52	1600W Motor assy
20	Plate	53	Rear wheel axle
21	Rear axle assy	54	Height adjustment block
22	Grass bag frame	55	Height adjustment link bar
23	Grass bag	56	Screw ST4.8*10
24	Screw ST4.8X16	57	Height adjustment handle
25	Grass bag cover	58	Bolt M6
26	Rear cover	59	Sandbox cover
27	Grass indicator	60	Deck
28	Grass bag handle	61	Angle adjustment locking knob
29	Switch lever	62	Bolt M8x40
30	Foam of upper handle	63	Nut M8
31	Upper handle	64	200mm Wheel cover
32	Switch box fixed cover	65	Sand
33	Screw ST4.2*19	66	Plug on lower handle
		67	Quick clamp axle

EL1840-EX-RUS220714